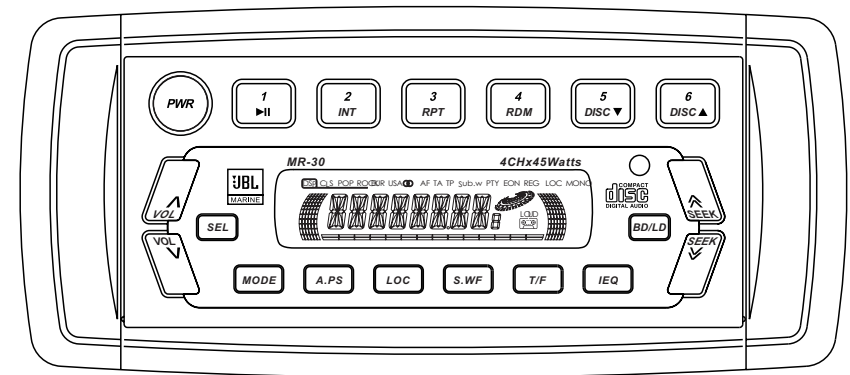




# Operation Manual



## MODEL : MR-30

Full Flip Down System Marine CD Player  
With DSP / 4x45Watts

This product is sold and serviced exclusively by PROSPEC Electronics Inc. and must be returned to PROSPEC for in and out of warranty repairs. It can not be serviced under warranty by other JBL service centers.

For service contact us : 3325 South Morgans Point Rd, Mt Pleasant SC 29466

Tel : 843-849-9037 Fax : 843-849-9054



## TROUBLE SHOOTING GUIDE

### INTERFERENCE ON RADIO

- Poor atmospheric conditions - Try again later in the day.
- Antenna / lead broken or damaged.

### DISTORTED AUDIO

- Check loudspeaker wiring.  
This product contains a biamp. It is vitally important not to connect the front loudspeaker ground to the rear speaker ground.
- Faulty loudspeaker.
- Distortion at highest volume levels may be normal, as amplifier has reached maximum power output.  
Otherwise the power and ground wire might be too small of a gauge.  
(Use 10amp cable or more.)
- Reduce the bass effect or switch off the loudness mode.
- Boat battery and or charging circuit may be faulty.

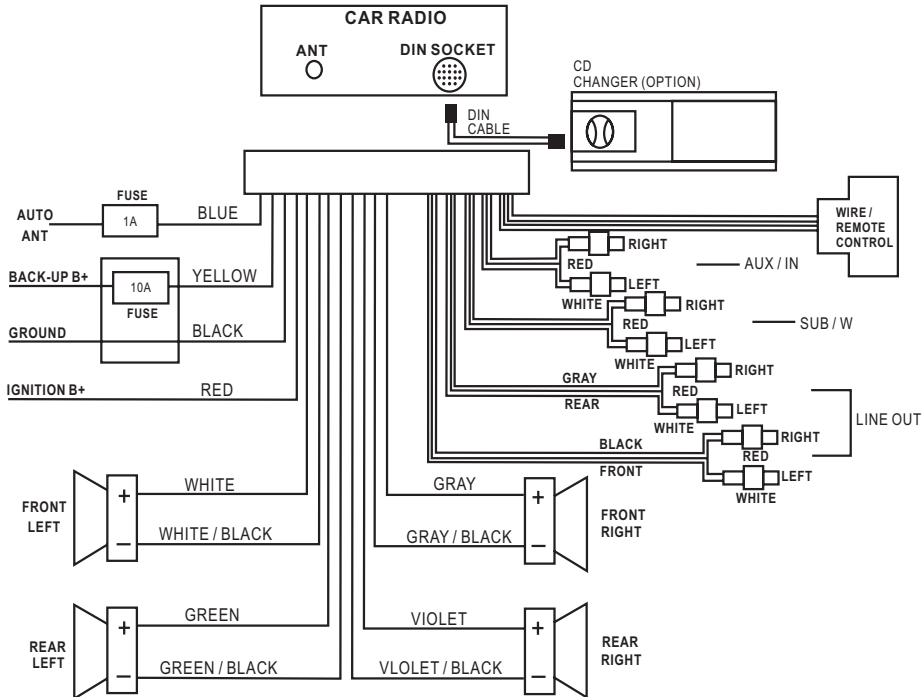
## SPECIFICATION

FM TUNER	AM TUNER (OPTION)
<b>Tuning Range :</b> 87.5 -107.9MHz(USA) 87.5 -108MHz(EUR) <b>Sensitivity :</b> 10dB / uV <b>Separation :</b> 30dB	<b>Tuning Range :</b> 530 -1710KHz(USA) 522 -1620KHz(EUR) <b>Sensitivity :</b> 35dB / uV
COMPACT DISC	AUDIO AMP & GENERAL
<b>Freq. Response :</b> 20 Hz-20 KHz <b>Total Harmonic Distortion :</b> 0.8% <b>Signal - Noise Ratio :</b> 65 dB <b>Dynamic Range :</b> 90 dB	<b>Power Output :</b> 4 x 45 watts <b>Power Supply :</b> DC + 12V Negative Ground <b>Speaker Impedance:</b> 4 - 8Ohm

## CONTENTS

Contents .....	2
Wiring Identification .....	3
Opening and closing the front plate .....	4
Identification of Controls and Functions .....	5
Remote control functions .....	6
Controls .....	7
Operating the radio .....	10
Operating the CDP & CD changer .....	11
Precautions and Maintenance .....	12
Trouble shooting guide, Specifications .....	13

## WIRING IDENTIFICATION



### Installation Notes

(Applicable to both 2 and 4 speaker connection)

This radio contains four separate power amplifiers, to prevent possible damage to these amplifiers please ensure.

- i) The boat chassis is not used as a loudspeaker ground(-).
- ii) Front and Rear loudspeaker connecting wires are not joined together.
- iii) Any wires not used when completing a two speaker installation are fully insulated.
- iv) The memory wire (yellow) is connected to a permanent + 12V supply.
- v) The power wire (Red) is connected via the ignition switch of the boat.

## PRECAUTIONS AND MAINTENANCE

### 1. Reset Function

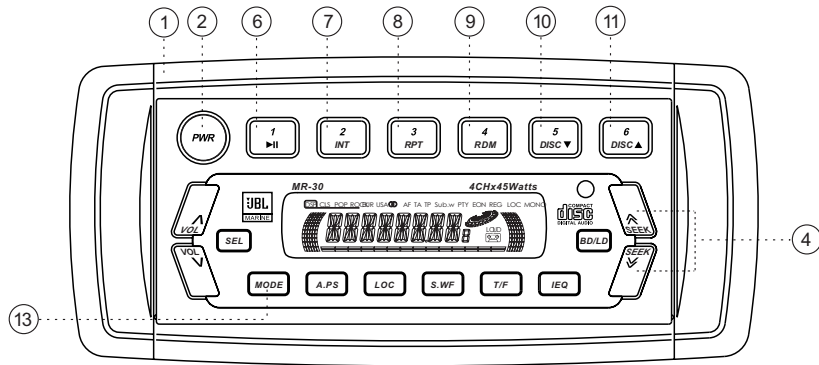
A microprocessor reset button has been provided to facilitate manual resetting of the internal microprocessor in the unlikely event that the player fails to operate correctly. Should it be necessary to reset the microprocessor, simply open face, remove rubber plug, and press reset button.

**Note:** It will be necessary to re-enter the radio preset memories as these will have been erased when the microprocessor is reset. After resetting the player, ensure all functions are operating correctly.

### 2. General Precautions

Be sure the CD is put into the CD slot label side up. If the unit has become extremely hot we strongly recommend that you allow it to cool down before using. Take care of your CD DISC to preserve the quality of the recording. Do not allow them to be exposed to direct sunlight. Store them to place protected from dirt and dust and avoid handling them with oily, grease or wet hands.

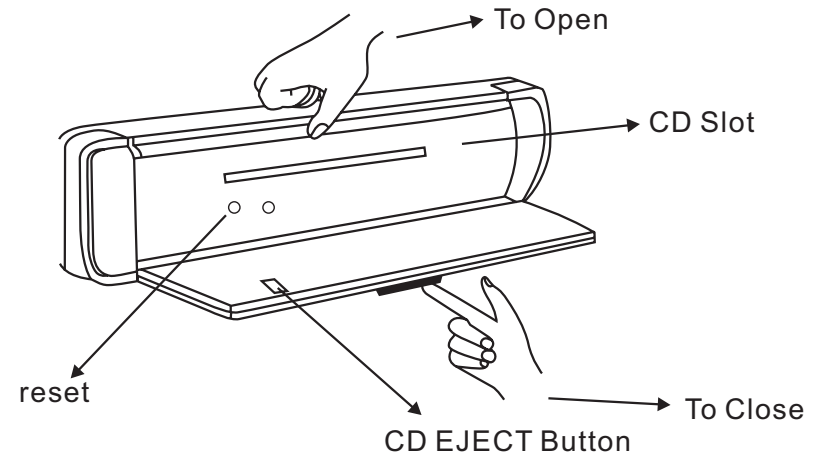
## OPERATING THE CD & CD CHANGER



1. Select the RADIO / CD / CDC / AUX changer by pressing the **"MD" button (13)** in sequence or simply insert a CD if using the onboard CD mechanism.
2. If using a CD changer, press **Preset button (10) or (11)** to select the desired DISC.  
(These buttons work only if a CD changer is installed with the radio)
3. **Play / Pause (6)**  
Push to pause and push again to resume play.
4. **Track Tuning (4)**  
Change the Track on the DISC by pressing and releasing the ▼ , ▲ button.  
If you hold in ▼ or ▲ button, the selection will fast ▲ Forward or Rewind ▼.
5. **Intro Scan (7)**  
Press this button to hear the first 10seconds of each track on the disc.  
Press this button again to restore the player to its normal play mode.
6. **Repeat Play Button(8)**  
While playing a desired track, press the RPT button to play the track repeatedly. Press the RPT button again to return back to normal play mode.
7. **Random play Button(9)**  
Press the RDM button to play all tracks on a CD disc in a random sequence. Press RDM again to return the player to normal mode.

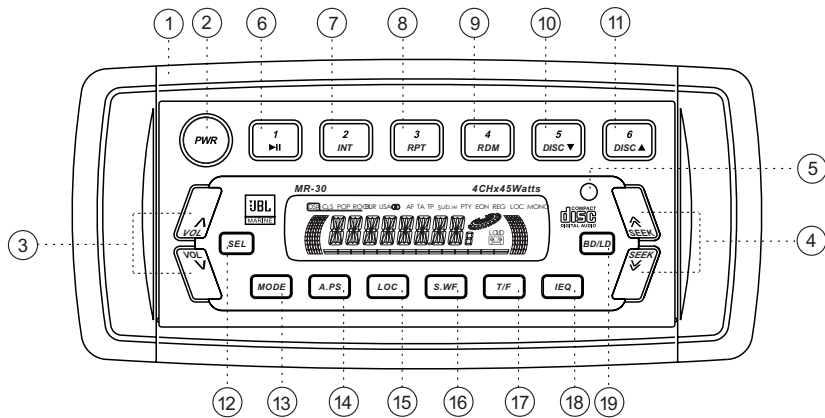
## OPEN AND CLOSE THE FRONT PANEL

- Lift the release bar to open the front panel.(fold down)



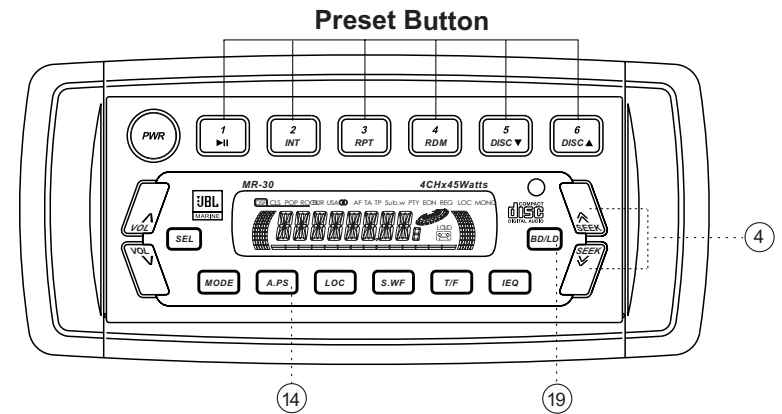
- To Close, lift door upward and push in until you feel the front panel snap into locked position.

## IDENTIFICATION OF CONTROLS AND FUNCTIONS



1. Front Panel Release Bar
2. POWER ON / OFF Button
3. Volume control ( Adjustment - Audio Control Knob )
4. Radio Tune UP / DOWN , CD Track UP / DOWN
5. Remote Control Sensor
6. CD Play / Pause, Radio preset 1 Button
7. CD Intro Scan Button, Radio preset 2 Button
8. CD Repeat track Button, Radio preset 3 Button
9. CD Random play Button, Radio preset 4 Button
10. Radio preset 5 Button / DISC DOWN ( CD Changer )
11. Radio preset 6 Button / DISC UP ( CD Changer )
12. Electronic VOL function SELECT Button  
( VOL, BASS, TREBLE, BALANCE, FADER )
13. MD ( Mode ) Button ( Radio;CDP ;CDC;AUX )
14. A.P.S Button
15. LOC Button ( Local / Distance control )
16. Sub woofer Button
17. T/F ( Time / Frequency ) Button
18. IEQ Button ( FLAT;CLASSIC;POP;ROCK )
19. Band button ( FM1, FM2, FM3, AM1, AM2 ) / Loud Button

## OPERATING THE RADIO



1. Press the **Band (BD/LD) button (19)** to select the desired band FM1, FM2, FM3, AM1, AM2.
2. **Manual / Seek tuning buttons (4):** Press these buttons quickly to activate Seek mode. Seek mode will automatically seek up or down the band and stop at the next station of sufficient signal strength. Press these buttons for longer than 2 seconds to manually advance the tuning up or down and release when desired station is displayed.
3. **Manual Station store:** Select the desired band and tune to a radio station to be memorized. Choose the preset button memory location 1-6 into which the station is to be stored and press and hold that preset button for 2 seconds. The station will now be entered into the preset memory. 6 stations can be memorized on each of the FM1, FM2, FM3, AM1, AM2.
4. **A.P.S / Auto store function (14) :** Depress and hold button (14) for approximately 2 seconds until you hear a signal which confirms the memory function is complete and the display shows "SEARCH". Six strong stations will be automatically stored on station presets 1 - 6. You can override the preset station on any button by manually setting a new frequency. Press this button quickly to perform an automatic scan for stored presets
5. **Memory Preset Selection :** Just press the preset button 1-6 to find the memorized radio frequency.  
\* **Precautions :** Be sure the area range (USA or Europe frequency) is correct for your location otherwise radio reception will not be clear.

#### 4. "MOD" Button (13)

Press this button to select Radio, CD, CDC or AUX.

\* Note for CDC to function you must add a JBL CD changer.

#### 5. Loudness function (19)

In order to emphasize the bass and the treble at low volume, press and hold key for 1 second, The display;LOUD ON; comes up for a short time and then reverts to displaying the frequency the station.

The confirmation;LOUD; is indicated on the display ;LOUD OFF; comes up for a short time when it 's turned off.

#### 6. Band Function (19)

Press the (BD/LD) button shortly to select the desired band " FM1, FM2, FM3, (AM)". However this button works 2 functions, Band(quick press) and LOUDNESS (longer than 1 second press).

#### 7. IEQ Function (18)

The DSP feature creates a realistic atmosphere for the style of music you select using the latest digital sound technology. Quite pressing of the key allows you to select following features :

- ;FLAT; display - normal operation mode > press key
- ;CLASSICS; display - for the dramatic depth of classical music in an auditorium > press key
- ;POP M; display - for the electric excitement of stadium pop > press key
- ;ROCK M; display - for the subtle extension of the music's dimensions > press key
- ;IEQ OFF; display - cancel the sound feature

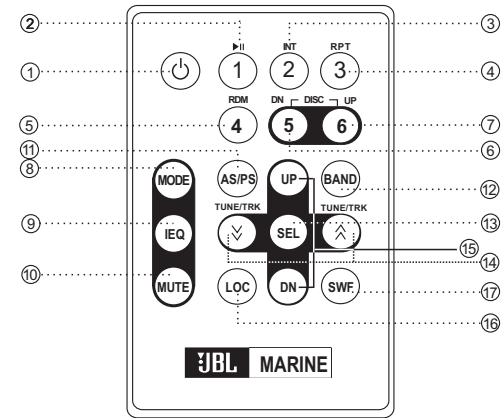
#### 8. TIME / FREQUENCY (T/F) Button (17)

- 1) After your unit has been installed in the boat, turn power on. Radio frequency will appear on the display.
- 2) Press button once momentarily to display Time mode Immediately. Press button once again (within 5sec) and hold depressed until displayed time begins to blink.
- 3) Press VOL (down) button to set the Minutes
- 4) Press VOL (up) button to set Hour
- 5) Once adjustment is completed, press T/F button once again to lock memory. Displayed time will stop blinking and within 5 seconds, it reverts to Radio Frequency.

#### 9. LOC Button (15)

Depressing this button attenuates the tuner's seek sensitivity so that only clear and strong FM/AM stations can be monitored while seeking. When this button is released, the tuner monitors all the receivable stations whether they are clear or not. This function has no control over the tuner's sensitivity once station is locked on.

## REMOTE CONTROL



#### ■ Function and Name

1. Power Button
2. CD Play/Pause / Radio preset 1 Button
3. CD Intro Scan Button / Radio preset 2 Button
4. CD Repeat Track Button / Radio preset 3 Button
5. CD Random play Button / Radio preset 4 Button
6. Radio preset 5 Button / DISC DOWN (CD Changer)
7. Radio preset 6 Button / DISC UP (CD Changer)
8. MOD Button ( Radio - CDP - CDC - AUX )
9. IEQ Button ( FLAT, CLASSIC, POP, ROCK )
10. MUTE Button
11. A.P.S Button
12. BAND / LOUD Button
13. SEL (Select) Button
14. Radio Tune UP/DOWN, CD Track UP/DOWN Button
15. VOLUME UP/DOWN Button
16. LOC ( LOCAL ) Button
17. SUB Woofer Button

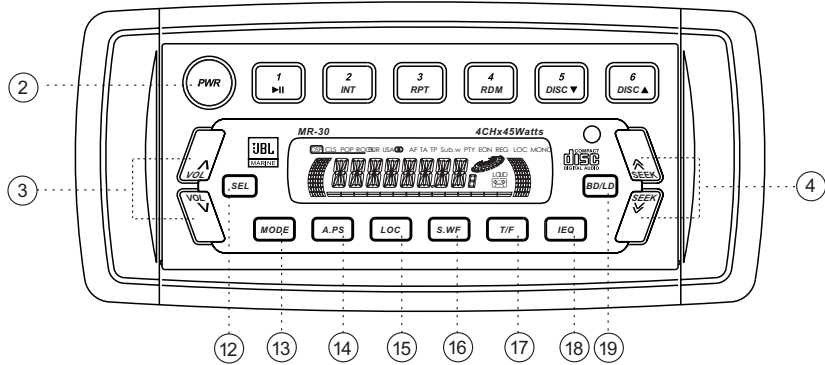
#### ■ How to exchange the battery

Open the cover of the back of remote marked Battery.

Place battery as indicated on the back of the remote noting polarity.

\* Replacement Battery : CR2025

# CONTROLS



## 1. POWER ON/OFF

Push the button(2) to turn the unit on. Push the button again to turn the unit off.

## 2. SELECT Button (12)

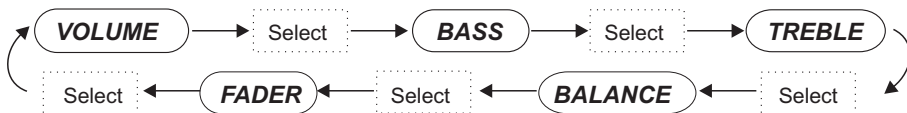
### 1) Audio control ( VOLUME / BASS / TREBLE / BALANCE / FADER )

Press key quickly to select the following features;

- "VOL" display - volume control > press key (12)>
- "BAS" display - bass tone control >press key (12)>
- "TRB" display - treble tone control > press key (12)>
- "BAL" display - balance control > press key (12)>
- "FAD" display - fader control > press key (12)>

Operate any one of the above features by pushing Vol-up or Vol-down control once the desired function appears on the screen. If the buttons are not operated within 5 - seconds the unit will return to volume mode.

These settings are indicated on the display window.



## 2) Beep 2nd , I-Vol , Area Selection

When the button(12) is pressed over 2secs, the unit will be operated as below;



### ▪ Beep 2nd

On the beep 2nd menu, you can set the Beep on or Beep 2nd option using the volume up and down button.

- Beep on : You can hear "Beep" sound when quickly pressing any button.
- Beep 2nd :You can hear "Beep" sound when you hold any button over 1.5 secs.

### ▪ I-Vol

Quickly press button (12) again for the I- VOL menu.

#### (Initial Volume Level Adjustment)

Adjusting this option will control the initial volume level heard upon turning the unit on avoiding unpleasant or overly loud volume levels. While in this menu, use the VOL up or down buttons to adjust.

### ▪ Area Selection

While in the USA / EUR menu, use the VOL up/down buttons to select the appropriate area and press BND button longer than a second to confirm the selection. To change the frequency (USA-EUR or EUR-USA), repeat the operation.

## 3. Volume control

Press VOL (down/up)Button to decrease or increase the volume level. Switching on your radio automatically allows you to set the volume level without having to select it first. Simply VOL(down/up) Button to set the required level. Press the SEL button (12) to control any of the below features and use the VOL button to adjust:

### ▪ Bass control

Press VOL / DW Button to lower the bass.  
Press VOL / UP Button to higher the bass.

### ▪ Treble control

Press VOL / DW Button to lower the treble.  
Press VOL / UP Button to higher the treble.

### ▪ Balance control

Press VOL / DW Button to decrease the right speaker volume.  
Press VOL / UP Button to increase the left speaker volume.

### ▪ Fader control

Press VOL / DW Button to decrease the volume level of loud speakers connected rear to radio.  
Press VOL / UP Button to increase the volume level of loud speakers connected front to radio.